



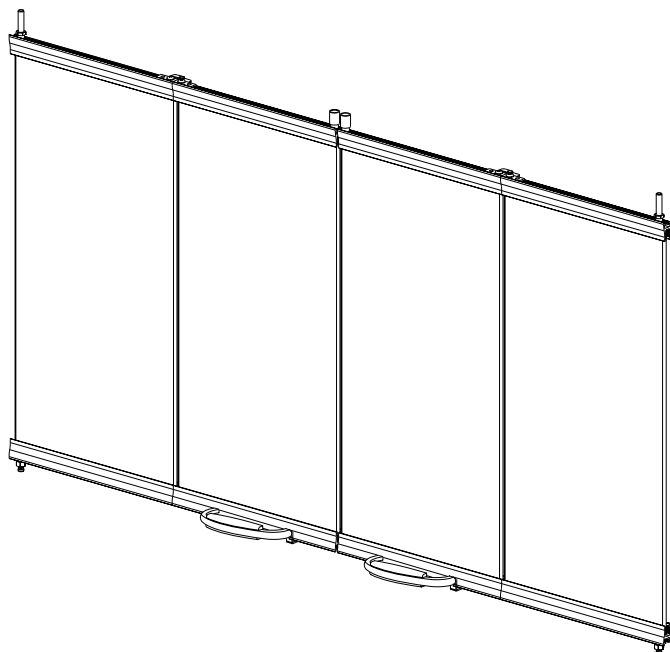
HEARTH PRODUCTS

FIREPLACE KITS
AND ACCESSORIES

750,133M
REV. B 12/2007

BI-FOLD GLASS DOORS

**INSTALLATION INSTRUCTIONS FOR ABF SERIES ALUMINUM BI-FOLD GLASS DOORS
MODELS 38ABF, 38ABF-BB AND 38ABF-BS**



The ABF Series bi-fold glass door assemblies have been designed for use with BCF and BRF Series fireplaces systems. Additionally these doors are designed for use with the Merit Plus Series, Models CST-38 and CPF-38.

Do not alter or modify these door assemblies or a fireplace malfunction or a fire hazard may result.

Models 38ABF(BB/BS) have been tested and listed by Omni Test Laboratories, Inc.

PLEASE RETAIN THIS MANUAL FOR FUTURE REFERENCE.

GENERAL INFORMATION

This door assembly consists of a right and left glass panel assembly with the door handles factory mounted. There are no additional parts that are required to install the ABF doors. Fireplaces and gas appliance listed on the front page of this document, have been designed to accept the ABF doors with minimum effort.

TOOLS REQUIRED

- Medium Phillips Screwdriver
- Hammer
- 3/8" Open-end wrench



NOTE: DIAGRAMS & ILLUSTRATIONS NOT TO SCALE

INSTALLATION PROCEDURE

Using a medium Phillips screwdriver and hammer, drive the ash lip end down and away from the holes in the lower frame (Figure 1). Both right and left side holes must be clear (Figure 2). All BCF, BRF, CST-38 and CPF-38 Series fireplaces have these lower and upper door mounting holes provided in the lower and upper front frame.

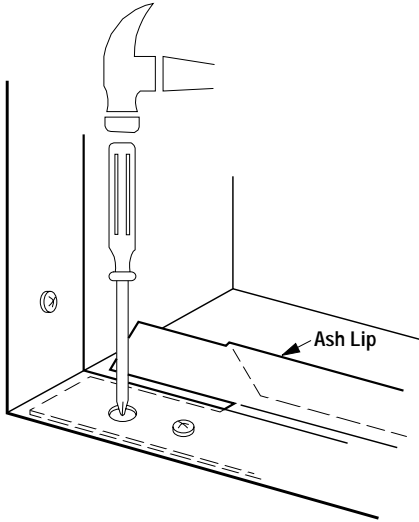


Figure 1

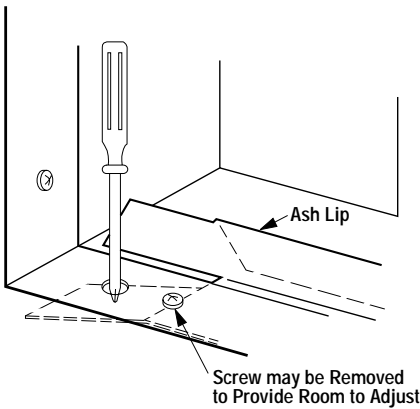


Figure 2

Step 1. Starting with either the right or left door assembly. Engage the hinge pin into the upper frame hole. The roller pin must be positioned within the upper door guide track (Figures 3 and 4).

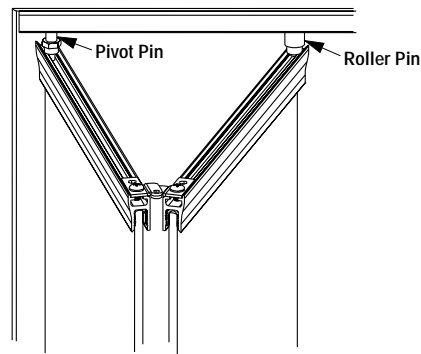


Figure 3

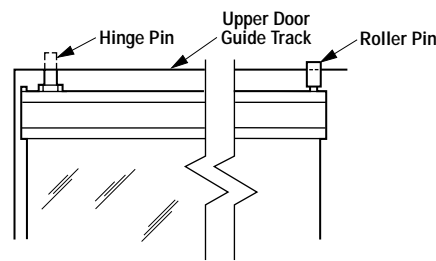


Figure 4

Step 2. Lift and swing the lower corner of the door over the hole in the lower frame and engage the shorter hinge pin into this hole (Figures 5 and 6).

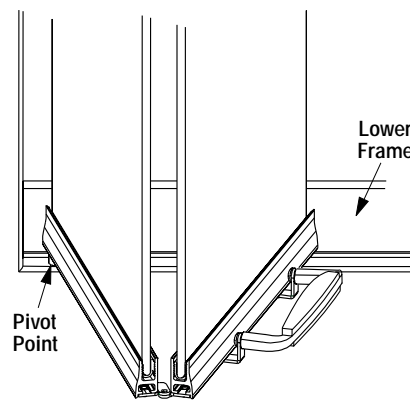


Figure 5

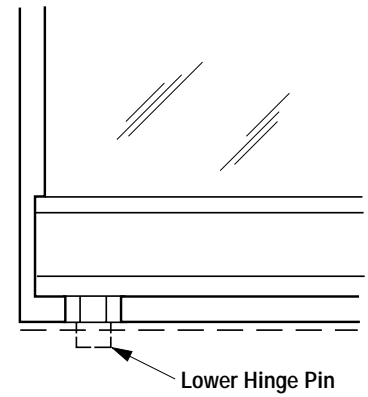


Figure 6

Step 3. Repeat this procedure for the opposite door assembly.

ADJUSTMENT FOR DOOR ALIGNMENT

The doors are properly adjusted when the top door trim is in a straight, level line and the gap between the doors is even at the top and bottom. If adjustments are required, grasp the door handle and loosen the lower door hinge pin using a 3/8" open end wrench*. Slide the door panel on the hinge pin until the gap between the upper door trim and upper frame is even. Retighten the lower door hinge pin*. Repeat this procedure for the opposite door if needed.

**Note: Upper door hinge pins can also be loosened for adjustment purposes; however, it is easier to loosen lower pins.*

GENERAL OPERATING PRECAUTIONS AND INSTRUCTIONS

CAUTION: THESE GLASS DOORS ARE LISTED ONLY FOR USE WITH THE SUPERIOR FIREPLACE OR APPLIANCE MODELS SHOWN. USE ON ANY OTHER FIREPLACE OR APPLIANCE MAY CONSTITUTE A POTENTIAL FIRE HAZARD.

- Avoid building extremely large fires as the tempered glass could become damaged.
- Use fireplace tools carefully to avoid striking the glass.

- The fireplace flue damper must remain open until fire is completely out.
- Assure wood and embers are well within the confines of the grate area and well away from the glass doors.
- Keep wire mesh screens closed during fireplace use.
- Keep glass doors closed at night when retiring to minimize the loss of heated room air up the vent.

CAUTION: THE FRONT-OPEN FIREPLACE OR APPLIANCE SHOULD ONLY BE OPERATED WITH THE GLASS DOORS FULLY OPEN OR FULLY CLOSED.

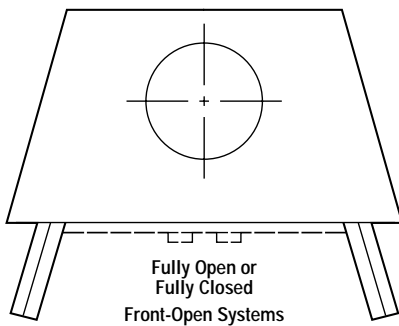
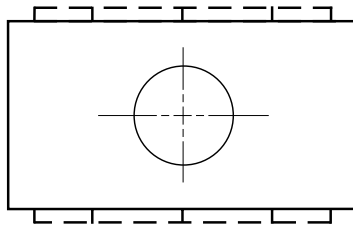


Figure 7



Fully Closed
Multi-Open Systems

Figure 8

CAUTION: GLASS AND METAL FRAMES GET HOT — ALWAYS USE HANDLES TO OPEN AND CLOSE THE DOORS.

CLEANING

NEVER CLEAN THE GLASS WHEN THE DOORS ARE HOT. DO NOT USE AMMONIA OR ANY AMMONIA BASED GLASS OR HOUSEHOLD CLEANER TO CLEAN THE GLASS OR THE DOOR FRAME. AN AMMONIA BASED CLEANER WILL DAMAGE THE FINISH.

Remove dirt and grime from the doors using a clean dampened towel followed by wiping with a dry towel. To remove stubborn stains from the doors, use a mild soap solution and towel to gently scrub away stain. Take care not to scratch the glass surface. Do not use abrasive cleaners.

CAUTION: THE CST-38 AND CPF-38 FIREPLACES MUST BE OPERATED WITH THE GLASS DOORS FULLY CLOSED.

IMPORTANT

These glass doors utilize tempered glass which is designed for use with high temperatures but can unexpectedly shatter. DO NOT SIT CLOSE TO THE GLASS.

Tempered glass will break into small particles if it should shatter unexpectedly. If the glass breaks, particles of extremely hot glass could be discharged into the surrounding environment, thereby creating a risk of personal injury or fire. Observation of the above operating precautions and instructions will reduce the risk of personal injury or fire.

Extreme temperature changes can cause breakage — do not build a hot fire and close the doors if the doors are cold.

If the tempered glass pane becomes scratched or chipped, it creates a weakness in the glass which can cause the glass to break when heated. Replace the pane of glass by contacting your nearest LHP Distributor. For the name of your nearest distributor contact:

LENNOX HEARTH PRODUCTS
1110 West Taft Avenue
Orange, CA 92865

WARNING: DO NOT BURN TRASH, CONSTRUCTION SCRAPS, RAILROAD TIES, OR OTHER HIGHLY-FLAMMABLE MATERIAL IN THE FIREPLACE. INTENSE HEAT CAN CAUSE THE GLASS TO LOSE STRENGTH AND RESILIENCE WHICH WILL RESULT IN GLASS BREAKAGE.

The manufacturer reserves the right to make changes at any time, without notice, in design, materials, specifications, prices and also to discontinue colors, styles and products. Consult your local distributor for fireplace code information.

Printed in U.S.A. © 2001 by LHP
P/N 750,133M REV. B 12/2007



1110 West Taft Avenue
Orange, CA 92865